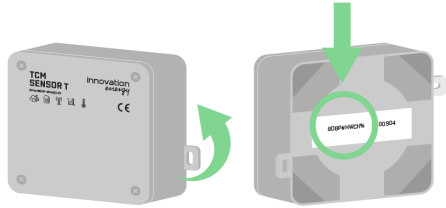
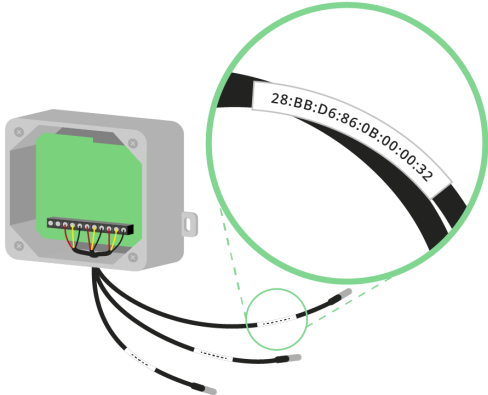


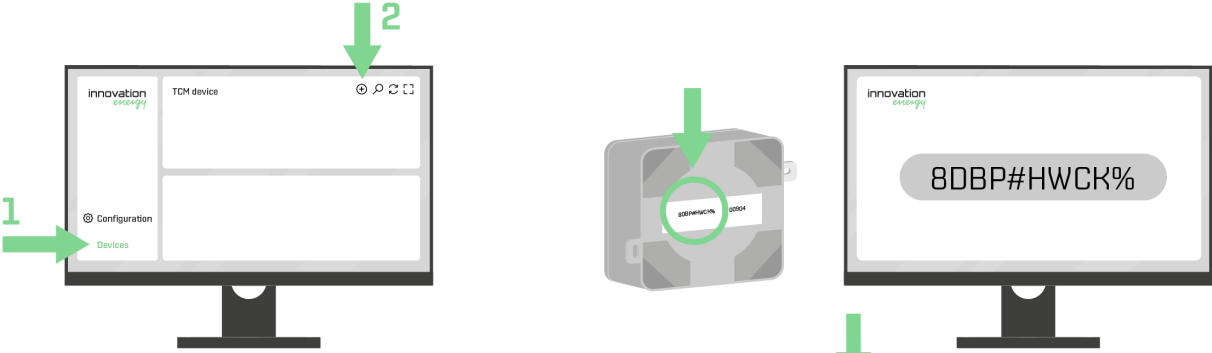
5 STEPS TO ACTIVATE TCM SENSOR T 5 V



1 Record the activation code located on the back of the casing. Install the device following the User Manual.

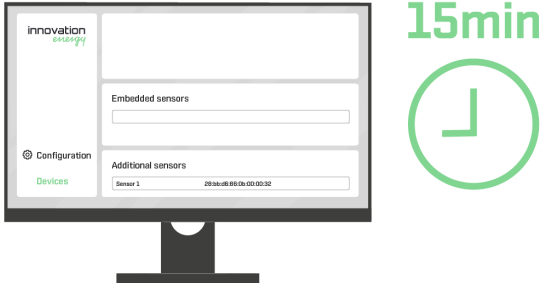


2 Connect all sensors and note the addresses printed on them. Turn on the power.



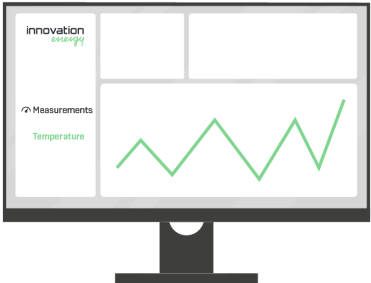
3 Using the activation code, register the device on the Innovation Energy platform or add the device to an existing account.

8DBP#HWCK% 12 00904



4 In the Device module, you will find connected sensors and measurements. Identify sensors by their addresses and provide them with names.

15min



5 In the Temperature module, you will find the latest measurement results.

1 Description

TCM SENSOR T is for measurement of a temperature and to send measured values to Innovation Energy platform. Measurements are send using GSM network within a private APN network. Digital sensors are used for measuring temperature. Device has built-in mechanism for detecting connected sensors. It's possible to use up to 5 sensors which are sold separately.

2 Technical parameters

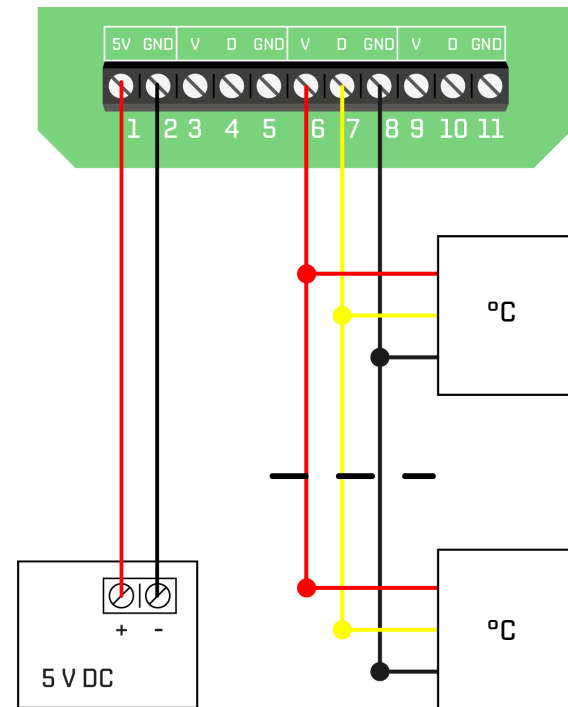
PARAMETER	VALUE
Power consumption	<6 W
Supply voltage	5 V DC ±5%
Operating temperature	From -5 °C to +50 °C
Supply operating temperature	From 0 °C to 40 °C
Measurement range	From -55 °C to +125 °C
Max. sensors	up to 5
Max. connection length	60 m

Caution!

Before the initial startup, it is essential to carefully read the contents of the user manual available on the website:
www.innovation-energy.co

3 Connection

On a figure 1 is presented scheme of a exemplary connection installation. Temperature sensors may be connected to inputs 3-5, 6-8 or 9-11.



Rys. 1: Example of connecting TCM Sensor T

Notes on safety!

- All connections and their changes should be performed with power supply disconnected on all inputs.
- Failure to follow the warnings and recommendations may result in electric shock, serious injury or fire.
- Ensure proper operating conditions in line with the technical requirements of the TCM SENSOR T. First and foremost, check the supply voltage and power, as well as the ambient temperature.
- Incorrect connections of TCM SENSOR T may damage the device.
- A poorly fitted TCM SENSOR T may come loose from its mounting position and cause a risk of head injury, loss of consciousness or even death.
- Only qualified persons (after reading the manual) are allowed to connect TCM SENSOR T.
- Responsibility for proper installation rests with the installer. Make sure that all country-specific guidelines and standards are met.
- Any attempt to make unauthorised changes to the unit or repairs by the user will invalidate warranty.

Simplified declaration of conformity (EU)

The device that is mentioned in this manual is in compliance with Directive 2014/53/EU. Full declaration is available on site:

www.innovation-energy.co

Scan to find out more.



Technical issues? Call.

518 330 202

