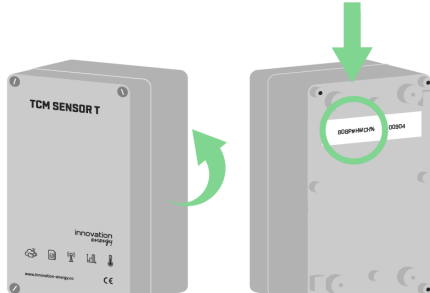
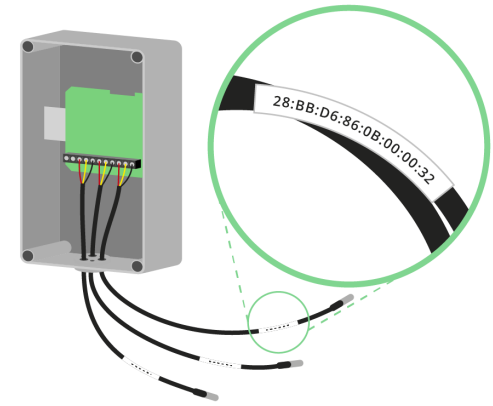


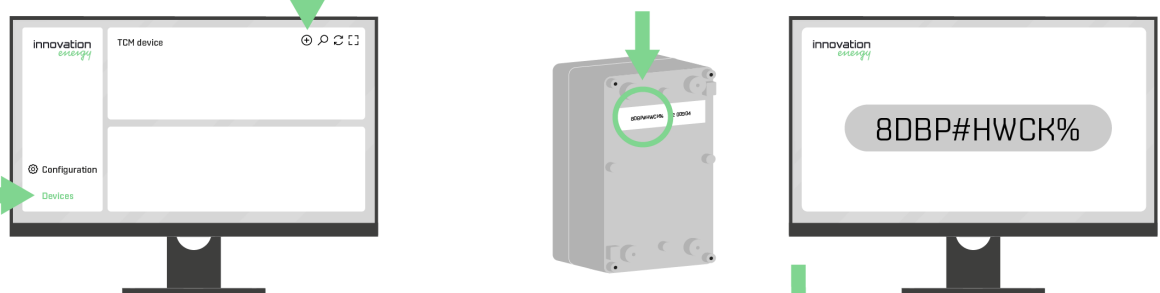
5 STEPS TO ACTIVATE TCM SENSOR T 230 V



1 Record the activation code located on the back of the casing. Install the device following the User Manual.

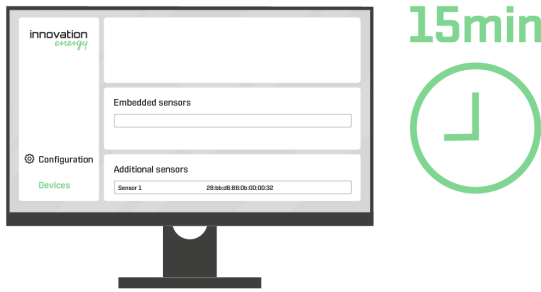


2 Connect all sensors and note the addresses printed on them. Turn on the power.



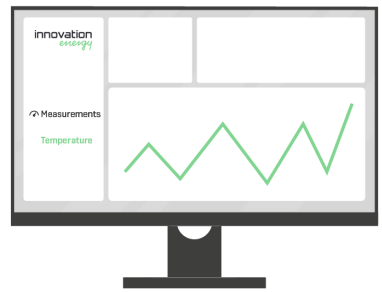
3 Using the activation code, register the device on the Innovation Energy platform or add the device to an existing account.

80BP#HWCK% 12 00904



4 In the Device module, you will find connected sensors and measurements. Identify sensors by their addresses and provide them with names.

15min



5 In the Temperature module, you will find the latest measurement results.

1 Description

TCM SENSOR T is for measurement of a temperature and to send measured values to Innovation Energy platform. Measurements are send using GSM network within a private APN network. Digital sensors are used for measuring temperature. Device has built-in mechanism for detecting connected sensors. It's possible to use up to 5 sensors which are sold separately.

2 Technical parameters

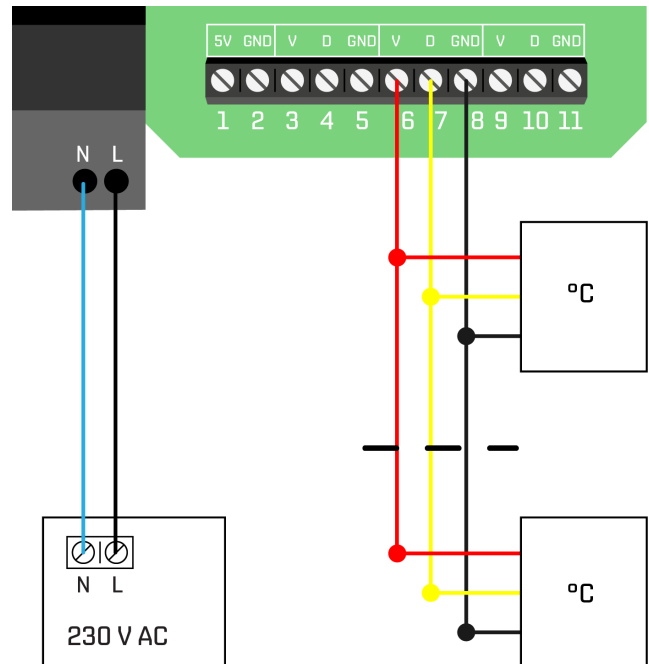
PARAMETER	VALUE
Power consumption	<6 W
Supply voltage	100-240 V AC 50 Hz
Operating temperature	From -5 °C to +50 °C
Measurement range	From -55 °C to +125 °C
Max. sensors	up to 5
Max. connection length	60 m

Caution!

Before the initial startup, it is essential to carefully read the contents of the user manual available on the website:
www.innovation-energy.co

3 Connection

On a figure 1 is presented scheme of a exemplary connection installation. Temperature sensors may be connected to inputs 3-5, 6-8 or 9-11.



Rys. 1: Example of connecting TCM Sensor T

Notes on safety!

- All connections and their changes should be performed with power supply disconnected on all inputs.
- Failure to follow the warnings and recommendations may result in electric shock, serious injury or fire.
- Ensure proper operating conditions in line with the technical requirements of the TCM SENSOR T. First and foremost, check the supply voltage and power, as well as the ambient temperature.
- Incorrect connections of TCM SENSOR T may damage the device.
- A poorly fitted TCM SENSOR T may come loose from its mounting position and cause a risk of head injury, loss of consciousness or even death.
- Only qualified persons (after reading the manual) are allowed to connect TCM SENSOR T.
- Responsibility for proper installation rests with the installer. Make sure that all country-specific guidelines and standards are met.
- Any attempt to make unauthorised changes to the unit or repairs by the user will invalidate warranty.

Simplified declaration of conformity [EU]

The device that is mentioned in this manual is in compliance with Directive 2014/53/EU. Full declaration is available on site:

www.innovation-energy.co

Scan to find out more.



Technical issues? Call.

518 330 202

