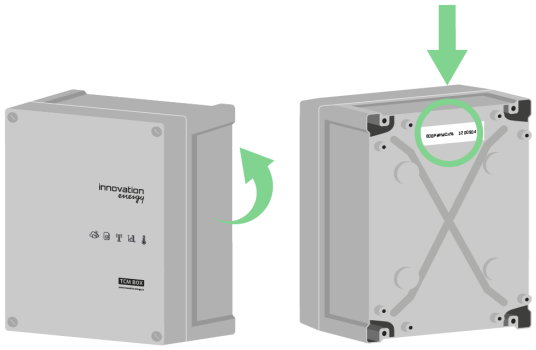
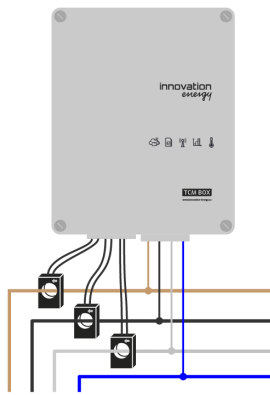


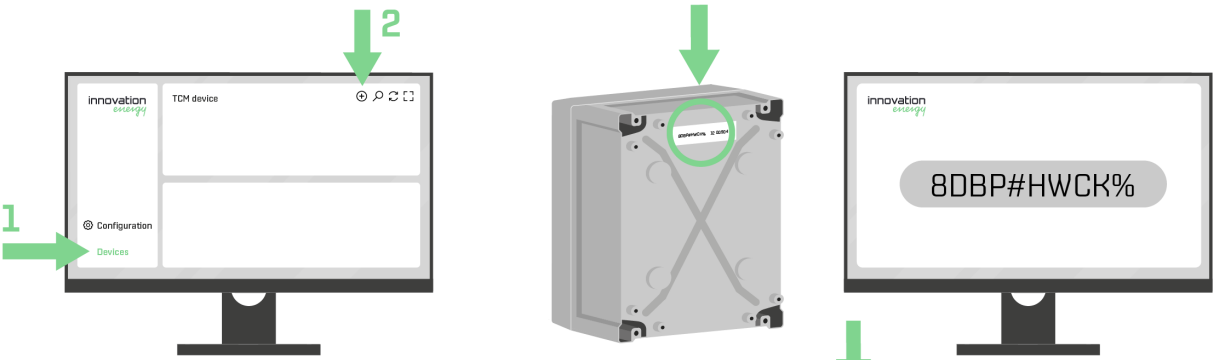
## 5 STEPS TO ACTIVATE TCM BOX 1P



**1** Record the activation code located on the back of the casing. Install the device following the User Manual.




**2** Connect the current transformers and the power supply voltage. Turn on the power supply.



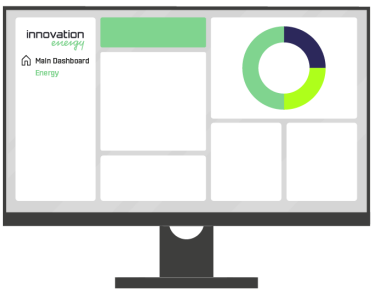
**3** Using the activation code, register the device on the Innovation Energy platform or add the device to an existing account.

8DBP#HWCK% 12 00904



**4** In the Devices module, you can change the device name under which it will be visible in the system.

15min



**5** In the Main Dashboard and other modules you will find the latest measurements results.

# 1 Description

The unit measures electricity consumption and sends the results to the Innovation Energy cloud. Measurements are transmitted over the GSM network on a private APN. The electricity is measured using an energy meter built into the unit and the current transformers supplied with the unit. The TCM BOX also allows connection of temperature sensors, pulse outputs, control and monitoring of other devices and integration with BMS/HMI systems.

# 2 Technical parameters

PARAMETER	VALUE
Power	<40 W
Supply Voltage	400 V AC 50 Hz
Operating temperature	From -5 °C to +50 °C
Accuracy class	1 / MID [B]
Enclosure protection class	IP44

**Caution!**

Before the initial startup, it is essential to carefully read the contents of the user manual available on the website:  
[www.innovation-energy.co](http://www.innovation-energy.co)

# 3 Connection

The figure 1 shows the wiring diagram. Additional functionalities are available on the PCB connectors and are described in detail in the user manual.

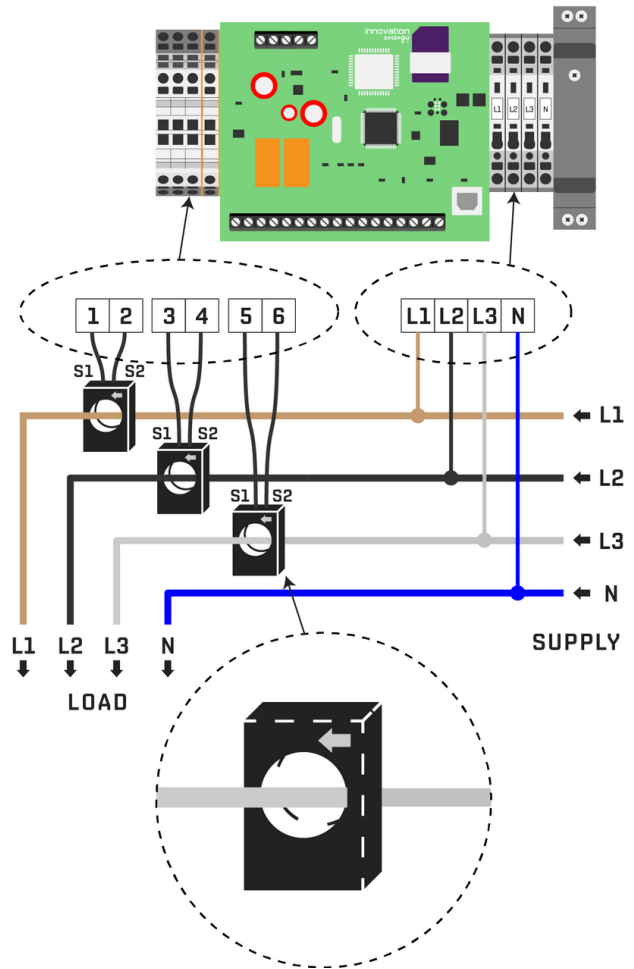


Fig. 1: Connection of current transformers and power supply.

**Notes on safety!**

- All connections and their changes should be performed with power supply disconnected on all inputs.
- Failure to follow the warnings and recommendations may result in electric shock, serious injury or fire.
- All connections and their changes should be made with the power supply disconnected.
- Incorrect connections of device may damage the device.
- Ensure proper operating conditions in accordance with the technical requirements of the unit. First of all, check the supply voltage and the ambient temperature.
- Only qualified persons (after reading the manual) are allowed to connect the unit and perform wiring.
- Responsibility for proper installation rests with the installer. Make sure that all country-specific guidelines and standards are met.
- Any attempt to make unauthorised changes to the unit or repairs by the user will invalidate the warranty.

**Simplified declaration of conformity [EU]**

The device that is mentioned in this manual is in compliance with Directive 2014/53/EU.

Full declaration is available on site:

[www.innovation-energy.co](http://www.innovation-energy.co)

Scan to find out more..



Technical issues? Call.

518 330 202

